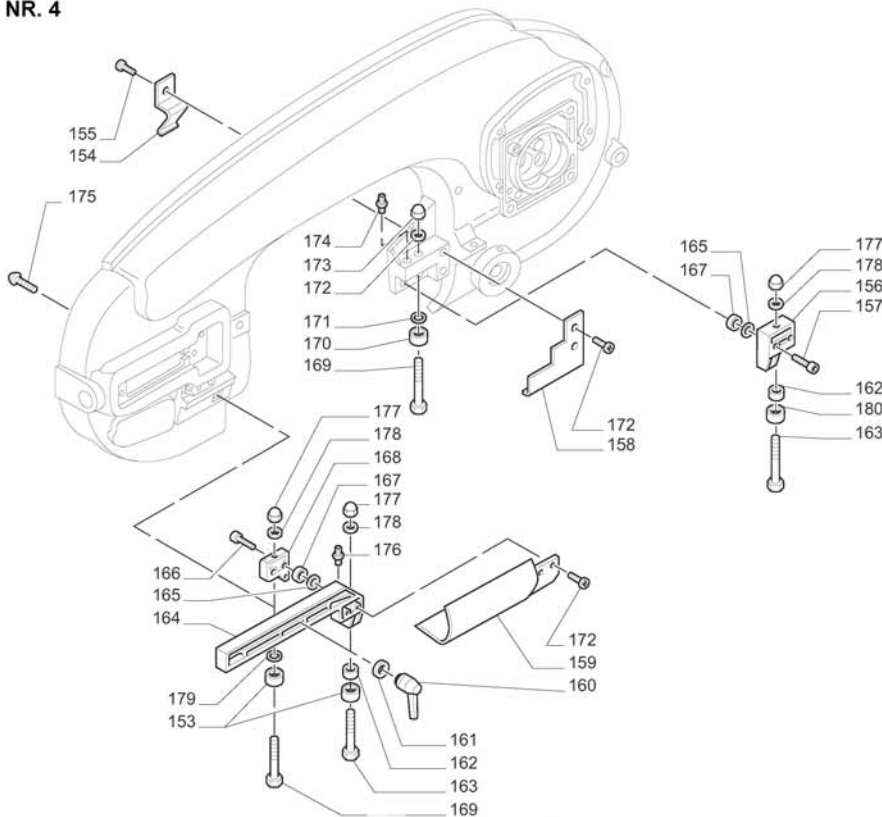
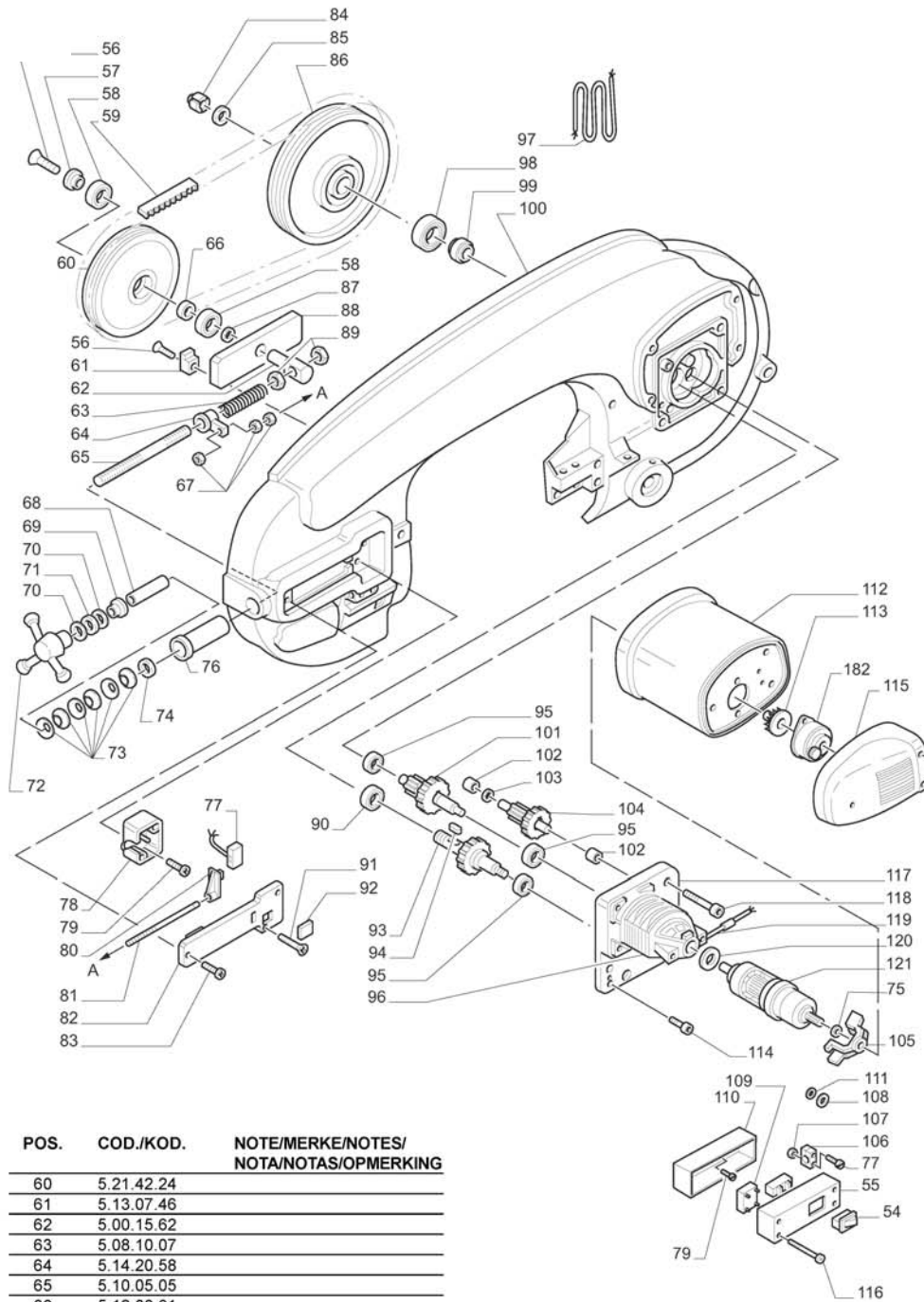


NR. 4

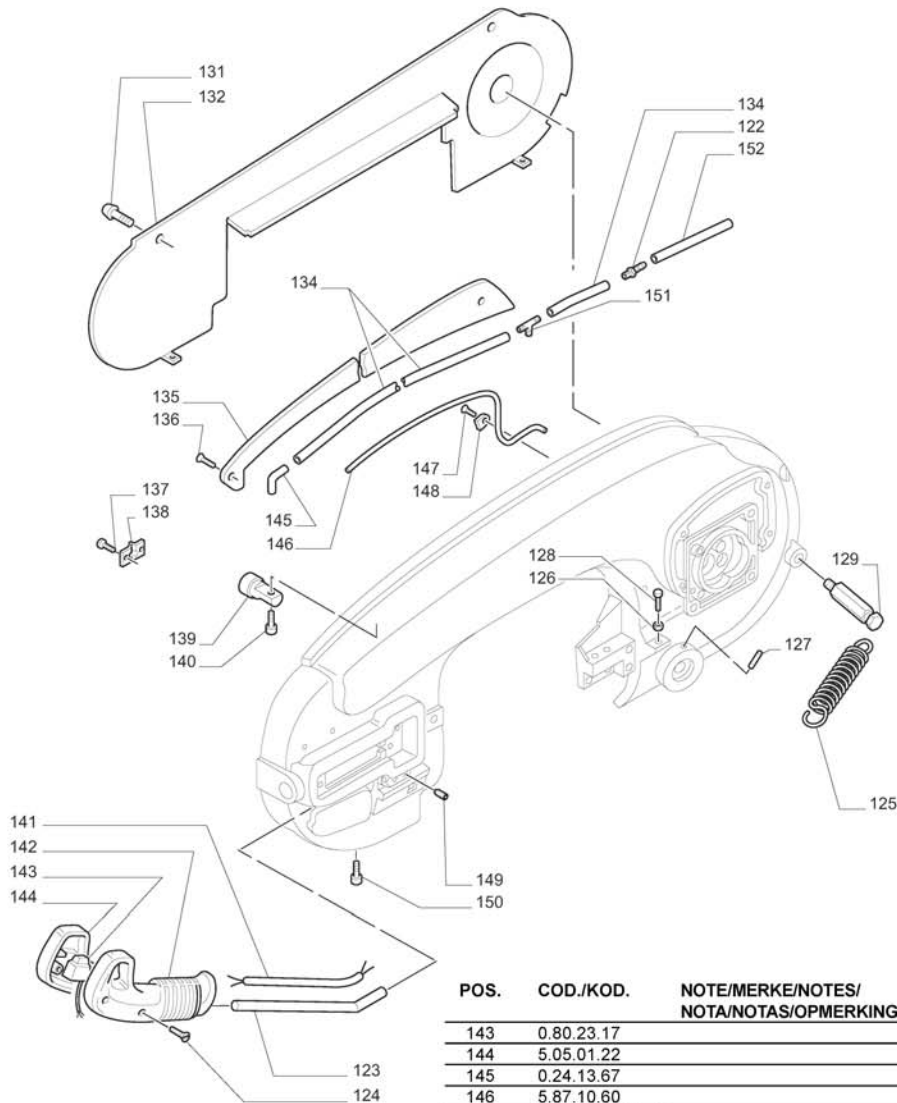


| POS. | COD./KOD. | NOTE/MERKE/NOTES/ NOTA/NOTAS/OPMERKING |
|------|-------------------|---|
| 1 | 5.13.07.96 | |
| 2 | UNI 6592 Ø 6,5x18 | |
| 3 | 0.14.70.07 | |
| 4 | UNI5588 M6 | |
| 5 | UNI 5737 M6x20 | |
| 6 | 0.14.70.17 | |
| 7 | 5.18.25.32 | |
| 8 | 5.15.25.94 | |
| 9 | 5.15.25.95 | |
| 10 | UNI 5732 M14x70 | |
| 11 | 5.13.08.64 | |
| 12 | 5.13.79.63 | |
| 13 | UNI 5931 M8x20 | |
| 14 | 0.15.26.30 | |
| 15 | UNI 5931 M8x20 | |
| 16 | 5.15.26.11 | |
| 17 | 5.13.08.63 | |
| 18 | 5.15.95.17 | |
| 19 | UNI 6592 Ø14 | |
| 20 | 0.14.00.59 | |
| 21 | UNI 5739 M12x50 | |
| 22 | 5.17.10.40 | |
| 23 | 5.14.20.23 | |
| 24 | 5.10.03.34 | |
| 25 | 0.14.00.73 | |
| 26 | 5.14.20.90 | |
| 27 | 5.17.10.35 | |
| 28 | 0.15.24.30 | |
| 29 | UNI 6954 P8x9,5 | |
| 30 | 5.12.40.33 | |
| 31 | 0.12.07.08 | |
| 32 | UNI 5923 M8x35 | |
| 33 | UNI 5588 M8 | |
| 34 | 5.13.37.03 | |
| 35 | 7.11.35.24 | |
| 36 | 5.87.10.72 | |
| 37 | UNI 6592 Ø16 | |
| 38 | 5.18.25.33 | |
| 39 | 5.18.25.34 | |
| 40 | 5.12.40.56 | |
| 41 | UNI 6592 Ø6 | |
| 42 | 5.40.19.35 | |
| 43 | 0.40.29.05 | |
| 44 | 0.12.40.32 | |
| 45 | UNI 5737 M8x50 | |
| 46 | 5.17.10.38 | |
| 47 | 0.10.17.16 | |
| 48 | UNI 6592 Ø16 | |
| 49 | 0.60.62.03 | |
| 50 | 5.13.80.21 | |
| 51 | 0.60.63.06 | |
| 52 | 5.17.10.39 | |
| 53 | 5.06.30.36 | |
| 54 | 0.80.23.16 | |
| 55 | 5.18.25.04 | |
| 56 | UNI 5933 M8x25 | |
| 57 | 5.12.40.60 | |
| 58 | 0.60.62.04 | |
| 59 | 3.27.73.40 | |



| POS. | COD./KOD. | NOTE/MERKE/NOTES/ NOTA/NOTAS/OPMERKING |
|------|----------------|---|
| 60 | 5.21.42.24 | |
| 61 | 5.13.07.46 | |
| 62 | 5.00.15.62 | |
| 63 | 5.08.10.07 | |
| 64 | 5.14.20.58 | |
| 65 | 5.10.05.05 | |
| 66 | 5.12.06.61 | |
| 67 | UNI 5588 M4 | |
| 68 | 5.12.20.17 | |
| 69 | 5.12.40.30 | |
| 70 | 0.06.40.02 | |
| 71 | 0.71.15.28 | |
| 72 | 0.14.00.99 | |
| 73 | 0.08.02.60 | |
| 74 | UNI 6592 Ø16 | |
| 75 | 5.06.10.38 | |
| 76 | 5.06.60.16 | |
| 77 | 0.80.11.01 | |
| 78 | 5.18.28.42 | |
| 79 | DIN 7500 M5x10 | |
| 80 | 5.14.30.05 | |
| 81 | 5.14.20.59 | |
| 82 | 5.18.25.23 | |
| 83 | UNI 7687 M4x10 | |
| 84 | 0.10.61.20 | |
| 85 | UNI 6592 Ø20 | |
| 86 | 5.21.40.26 | |
| 87 | 0.15.51.49 | |
| 88 | 5.13.07.95 | |
| 89 | UNI 5589 M12 | |
| 90 | 0.60.62.04 | |

| POS. | COD./KOD. | NOTE/MERKE/NOTES/ NOTA/NOTAS/OPMERKING |
|------|----------------|---|
| 91 | UNI 6954 P7x16 | |
| 92 | 0.89.40.07 | |
| 93 | 7.21.30.06 | |
| 94 | 0.15.01.39 | |
| 95 | 0.58.62.00 | |
| 96 | 5.02.41.12 | |
| 97 | 5.87.10.71 | |
| 98 | 0.60.60.07 | |
| 99 | 5.12.40.54 | |
| 100 | 5.04.28.34 | |
| 101 | 7.21.30.05 | |
| 102 | 0.73.12.12 | |
| 103 | 0.12.40.26 | |
| 104 | 7.21.30.04 | |
| 105 | 5.85.00.06 | |
| 106 | 5.15.45.01 | |
| 107 | UNI 5588 M4 | |
| 108 | 0.18.10.21 | |
| 109 | 0.81.60.04 | |
| 110 | 5.18.28.23 | |
| 111 | 0.18.10.18 | |



| POS. | COD./KOD. | NOTE/MERKE/NOTES/ NOTA/NOTAS/OPMERKING |
|------|-----------------|---|
| 112 | 5.18.28.43 | |
| 113 | 5.85.01.11 | |
| 114 | UNI 5931 M6x20 | |
| 115 | 5.18.25.25 | |
| 116 | UNI7687 M5x35 | |
| 117 | 7.80.16.11 | |
| 118 | UNI 5931 M6x40 | |
| 119 | 0.81.60.05 | |
| 120 | 5.06.10.41 | |
| 121 | 7.01.31.34 | |
| 122 | 0.24.14.43 | |
| 123 | 5.14.20.69 | |
| 124 | UNI6954 96X19 | |
| 125 | 5.08.10.09 | |
| 126 | UNI 5588 M10 | |
| 127 | UNI 5927 M8x10 | |
| 128 | UNI 5927 M10x45 | |
| 129 | 5.17.10.18 | |
| 130 | UNI6592 Ø5 | |
| 131 | 0.32.06.12 | |
| 132 | 5.18.18.56 | |
| 133 | 0.12.33.15 | |
| 134 | 1.85.58.03 | |
| 135 | 5.18.16.88 | |
| 136 | DIN 7500 M5x10 | |
| 137 | DIN 7500 M5x16 | |
| 138 | 5.15.25.96 | |
| 139 | 7.13.05.67 | |
| 140 | UNI 5931 M5x16 | |
| 141 | 5.87.10.56 | |
| 142 | 5.05.01.17 | |

| POS. | COD./KOD. | NOTE/MERKE/NOTES/ NOTA/NOTAS/OPMERKING |
|------|-----------------|---|
| 143 | 0.80.23.17 | |
| 144 | 5.05.01.22 | |
| 145 | 0.24.13.67 | |
| 146 | 5.87.10.60 | |
| 147 | DIN 7500 M5x15 | |
| 148 | 5.15.41.03 | |
| 149 | UNI 5927 M6x10 | |
| 150 | 0.41.06.34 | |
| 151 | 0.24.13.66 | |
| 152 | 1.85.58.05 | |
| 153 | 0.60.06.07 | |
| 154 | 5.18.16.27 | |
| 155 | UNI 7987 M6x10 | |
| 156 | 5.13.07.47 | |
| 157 | UNI 5931 M8x30 | |
| 158 | 5.18.16.28 | |
| 159 | 5.18.16.83 | |
| 160 | 0.14.70.02 | |
| 161 | 0.12.40.29 | |
| 162 | 0.06.30.25 | |
| 163 | 5.10.00.69 | |
| 164 | 5.13.09.42 | |
| 165 | 0.12.40.27 | |
| 166 | UNI 5931 M6x25 | |
| 167 | 0.60.06.26 | |
| 168 | 5.13.09.43 | |
| 169 | 5.10.00.70 | |
| 170 | 0.60.06.07 | |
| 171 | 5.12.06.38 | |
| 172 | UNI 1751 Ø6 | |
| 173 | UNI 5721 M6 | |
| 174 | 0.24.14.42 | |
| 175 | UNI 5732 M10x40 | |
| 176 | 0.24.14.42 | |
| 177 | UNI 5721 M6 | |
| 178 | UNI 1751 Ø6 | |
| 179 | 5.12.06.38 | |
| 180 | 5.13.37.52 | |
| 181 | 5.13.37.53 | |
| 182 | 7.82.01.07 | |